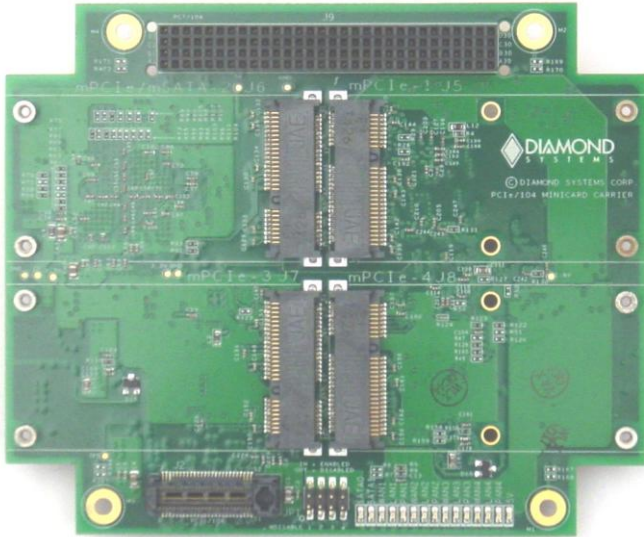


PCIe MiniCard Carrier



PCI/104-Express Quad PCIe MiniCard Carrier



- ◆ 4 PCIe MiniCard sockets
- ◆ PCIe x 1 and USB interfaces
- ◆ 4 sockets support full size PCIe MiniCards
- ◆ 2 sockets support half size PCIe MiniCards
- ◆ SIM cards supported in two sockets
- ◆ mSATA flaskdisks up to 64GB supported in one socket
- ◆ LEDs provided for all 4 sockets
- ◆ PCI-104 pass through connector
- ◆ PCI/104-Express form factor with wings (4.5" x 3.775")
- ◆ Operating temperature of -40°C to +85°C
- ◆ Shock: MIL-STD-202G compliant
- ◆ Vibration: MIL-STD-202G compliant
- ◆ Weight: 2.5oz (70.9g)

Description

The PCIe MiniCard carrier offers four PCIe MiniCard sockets on a compact PCI/104 Express form factor board. All four sockets have PCIe x 1 and USB interfaces and support full size and half size PCIe MiniCard modules.

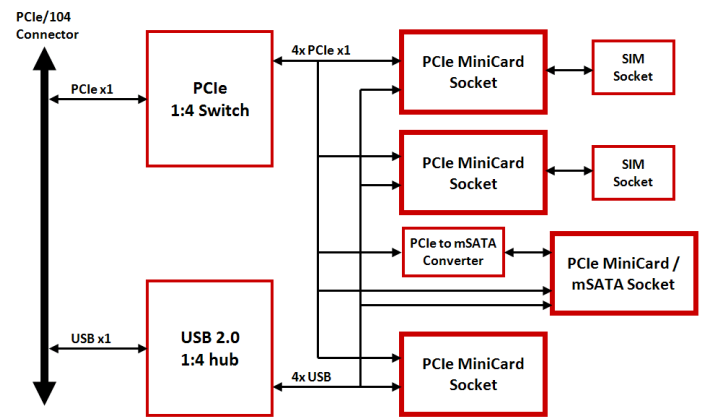
The module provides full support to all sockets while consuming only a single lane of host SBC resources. SIM card support is provided for two sockets.

All power is derived from the PCIe/104 connector +5V power tab. The PCI-104 connector provides a pass through connection and is not used by the module.

Rugged Design

Extended temperature capability (-40°C to +85°C) enables the board to operate in environments with extreme temperature swings, such as vehicles or outdoor installations. For further enhanced ruggedness, zero ohm resistors can replace jumpers.

PCIe/104 Quad PCIe MiniCard Carrier



Ordering Information

E104-MPE-04 PCI/104-Express Quad PCIe MiniCard Carrier

